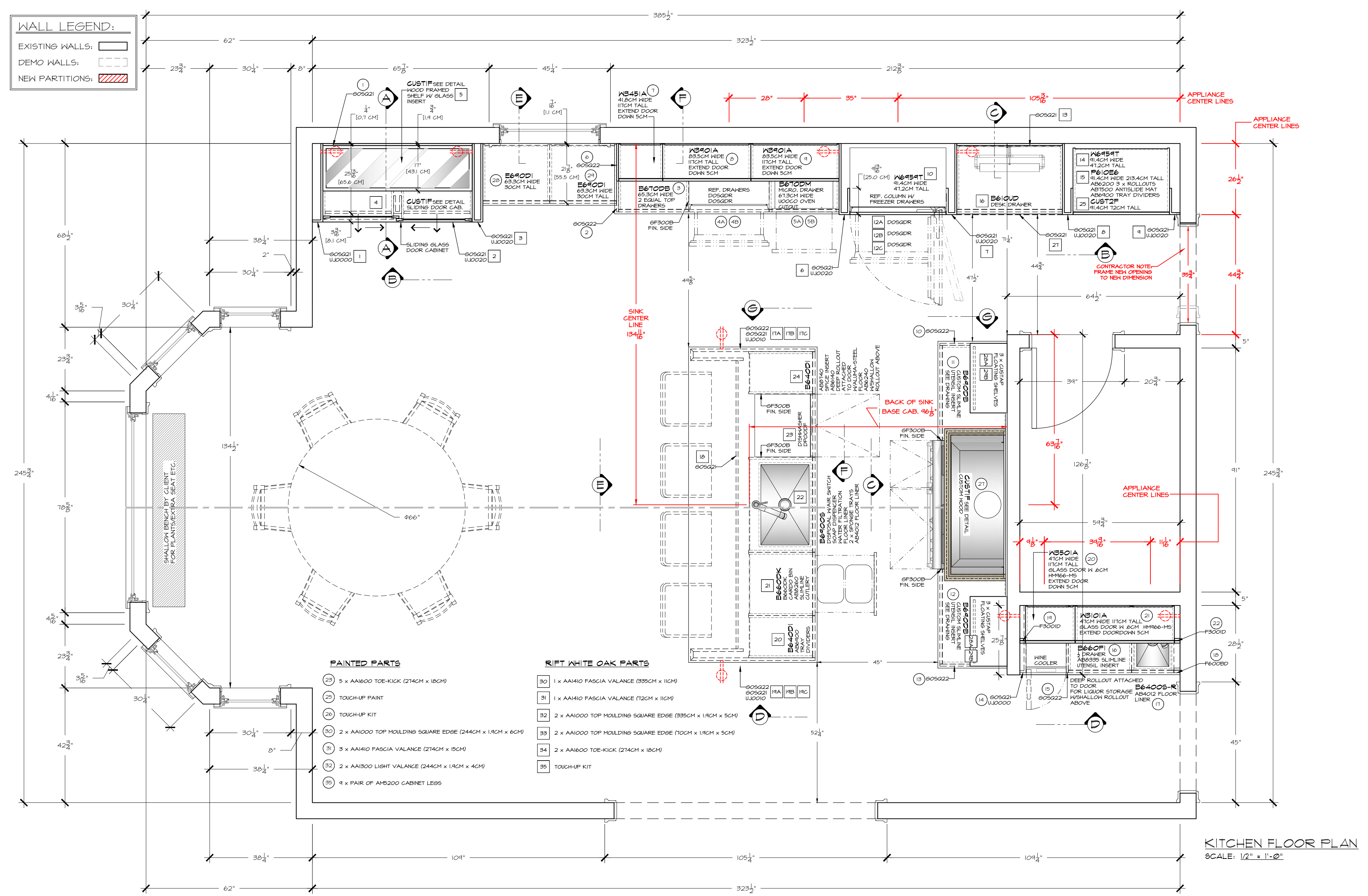
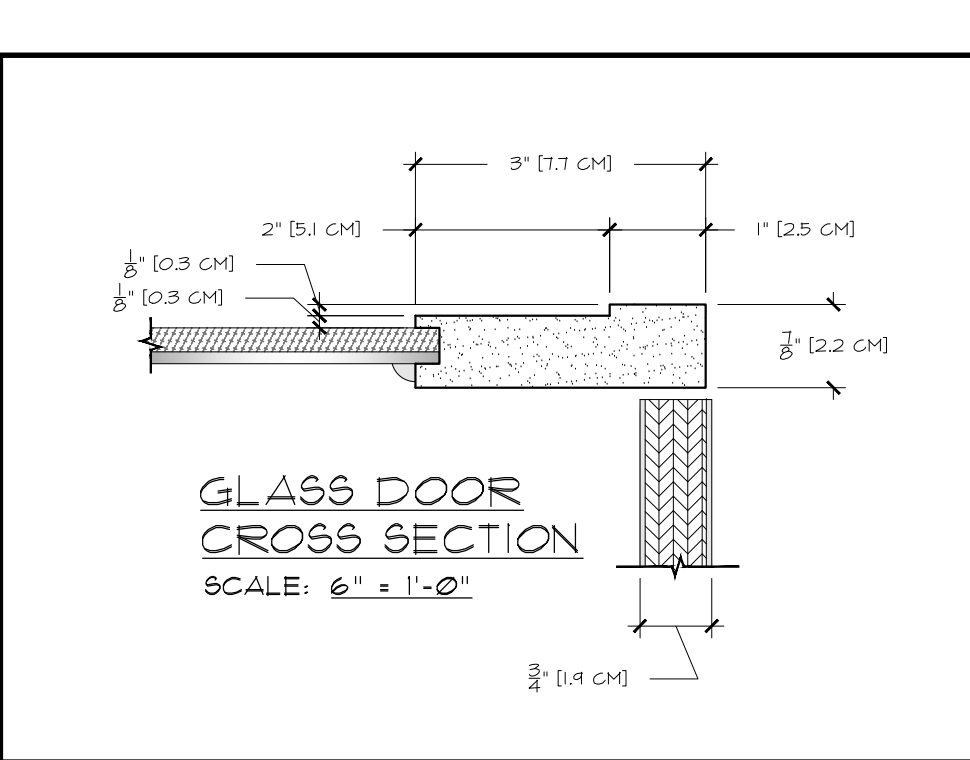
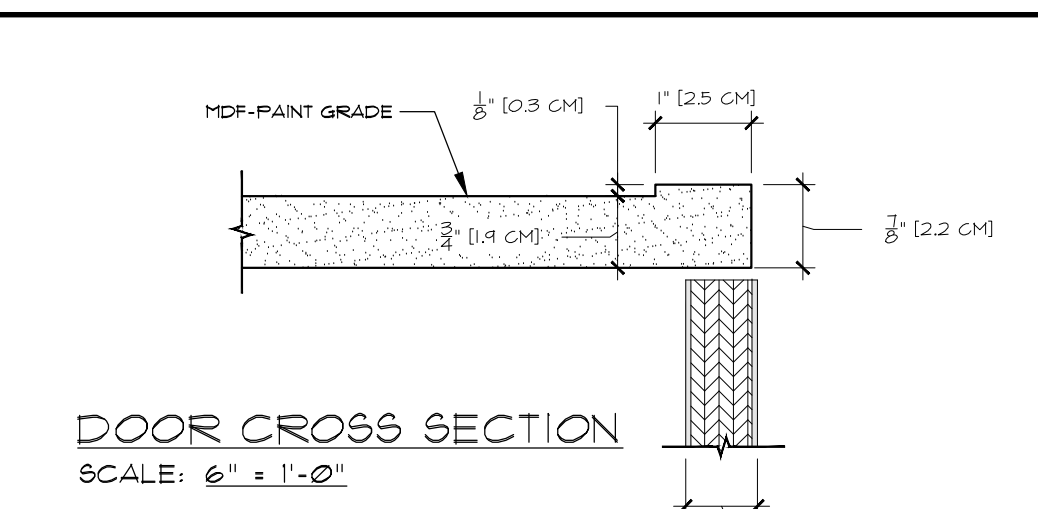
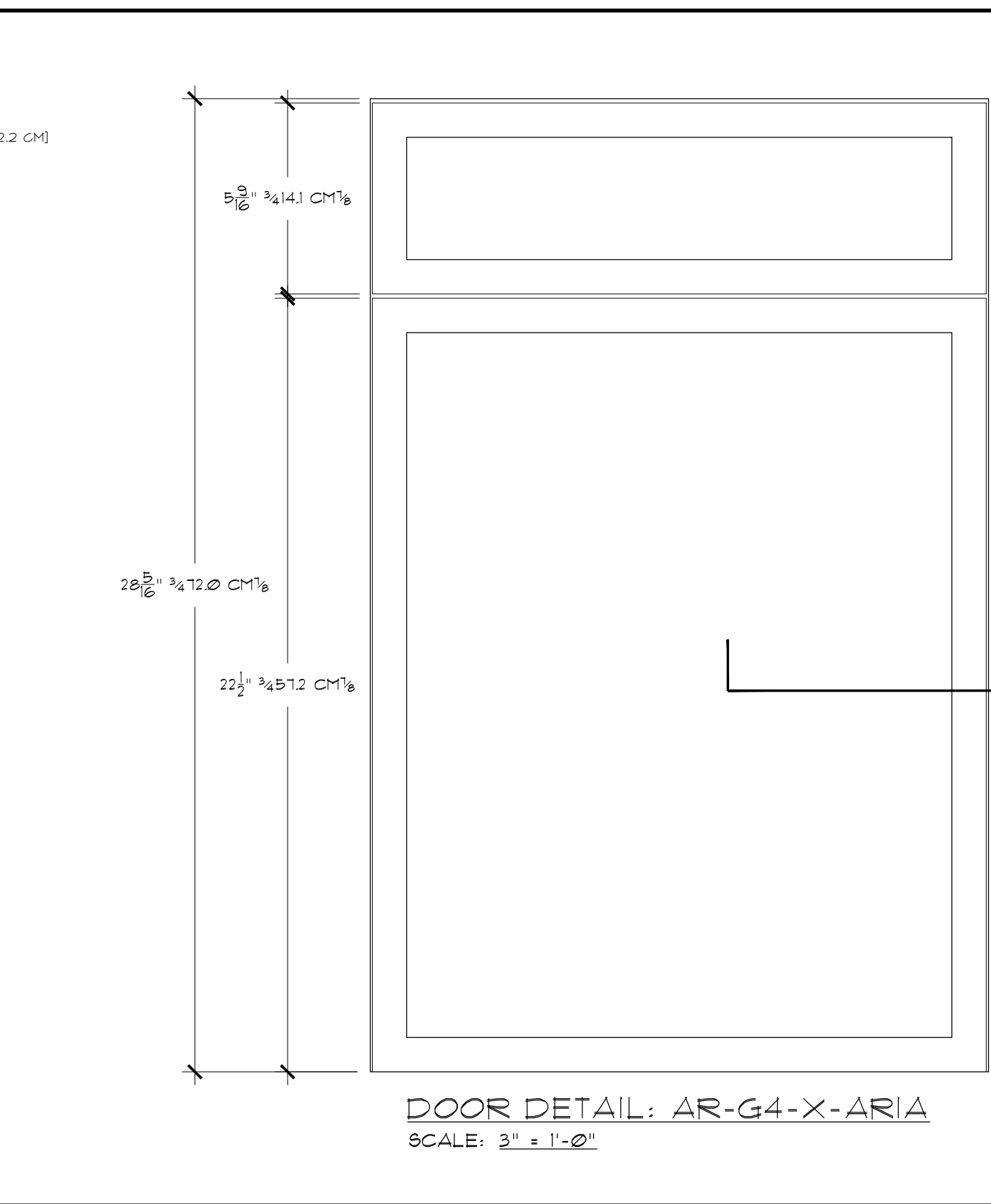
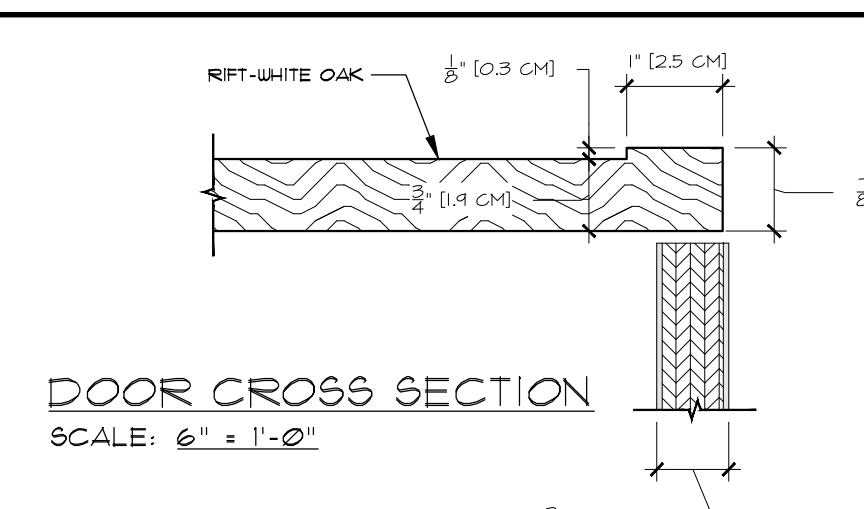
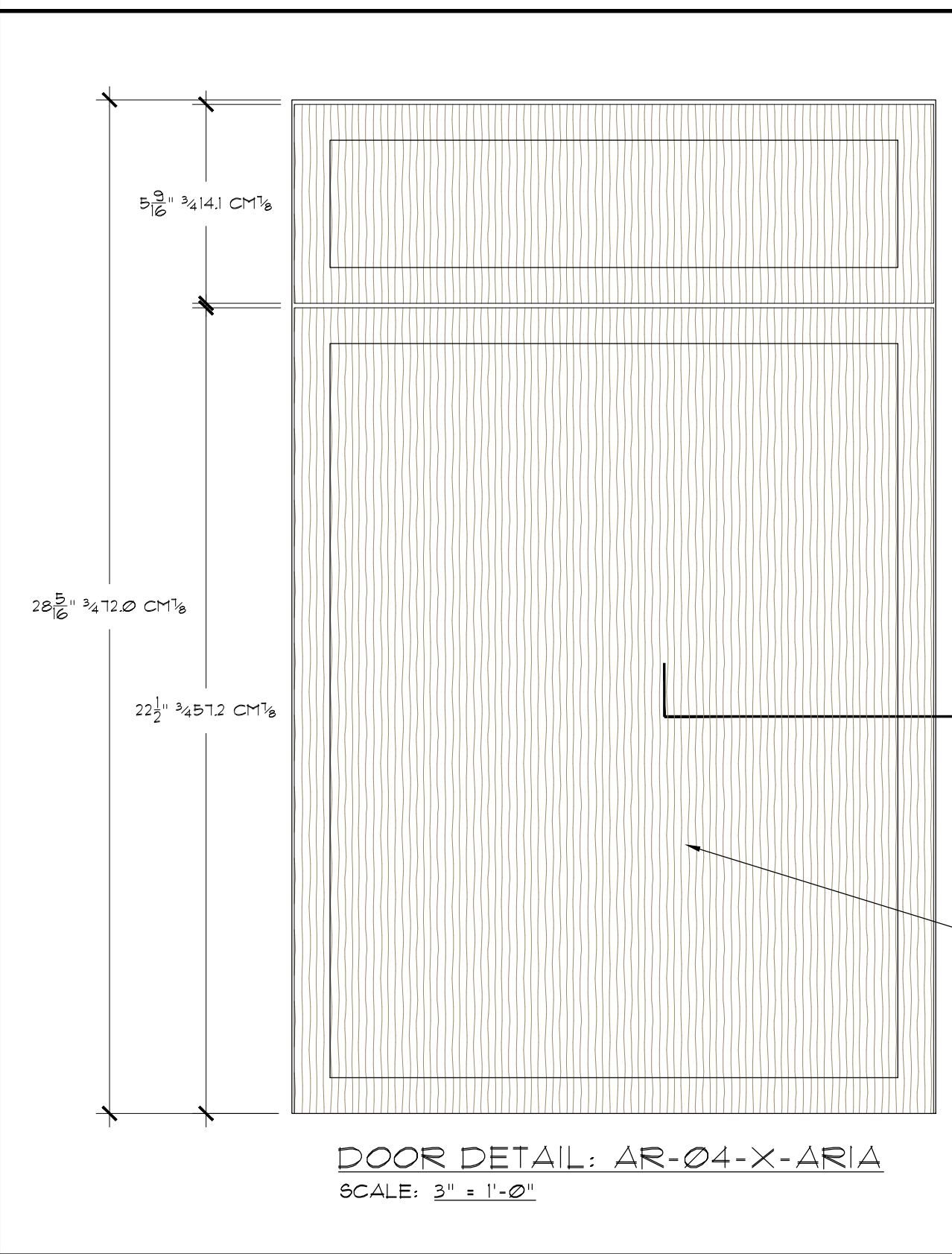


**WALL LEGEND:**

EXISTING WALLS:	
DEMO WALLS:	
NEW PARTITIONS:	



KITCHEN FLOOR PLAN  
SCALE: 1/2" = 1'-0"



**PROJECT SPECIFICATIONS**

DESCRIPTION	KITCHEN OAK	KITCHEN PAINT	ROOM 3	ROOM 4
MANUFACTURER	DOWNSVIEW	DOWNSVIEW		
CABINET CONSTRUCTION	BOX 600 PLYWOOD	BOX 600 PLYWOOD		
WOOD SPECIES	RIFT WHITE OAK	MDF-PAINT GRADE		
FINISH COLOR	33WB	BIANCO		
FINISH NUMBER	33WB	400-MK		
SHEEN	AS PER SAMPLE	AS PER SAMPLE		
INTERIOR CABINET FINISH	NATURAL MAPLE	NATURAL MAPLE		
DOOR STYLE	ARIA-04-X	ARIA-04-X		
DOOR PROFILE	SEE DOOR DETAIL	SEE DOOR DETAIL		
DOOR EDGE PROFILE	ME	ME		
DOOR MULLION PROFILE	N/A	N/A		
SMALL DRAWER STYLE	ARIA-04-X	ARIA-04-X		
SMALL DRAWER PROFILE	SEE DOOR DETAIL	SEE DOOR DETAIL		
SMALL DRAWER EDGE PROFILE	ME	ME		
LARGE DRAWER STYLE	ARIA-04-X	ARIA-04-X		
LARGE DRAWER PROFILE	SEE DOOR DETAIL	SEE DOOR DETAIL		
LARGE DRAWER EDGE PROFILE	ME	ME		
HINGE STYLE	CONCEALED	CONCEALED		
HINGE FINISH	N/A	N/A		
CABINET DOOR HARDWARE	TBD	TBD		
CABINET DRAWER HARDWARE	TBD	TBD		
APPLIANCE PULLS	TBD	TBD		

**APPLIANCES:**

ITEM	MANUFACTURER	MODEL NUMBER	DESCRIPTION	FURNISHED BY	SET IN PLACE BY	CONNECTED BY
				DEANE OWNER	DEANE OWNER	DEANE OWNER
DUAL FUEL RANGE	WOLF	DF486G-LP	STAINLESS / STEEL	X	X	X
REFRIGERATOR / FREEZER	SUBZERO	IT-36CI-RH	PANELED	X	X	X
MICROWAVE DRAWER	WOLF	MD24TE/S	STAINLESS / STEEL	X	X	X
MICRO VENT KIT	WOLF	822113	STAINLESS / STEEL	X	X	X
REFRIGERATOR DRAWERS	SUBZERO	ID30R	PANELED	X	X	X
HOOD INSERT	WOLF	PL461912	STAINLESS / STEEL	X	X	X
IN-LINE BLOWER	WOLF	808332	1100CFM	X	X	X
WINE COOLER	MARVEL	MP15WSG4LS	STAINLESS / STEEL	X	X	X
DISHWASHER	COVE	DW2450	PANELED	X	X	X

**PLUMBING:**

ITEM	MANUFACTURER	MODEL NUMBER	DESCRIPTION	FURNISHED BY	SET IN PLACE BY	CONNECTED BY
				DEANE OWNER	DEANE OWNER	DEANE OWNER
MAIN SINK	JULIEN	003908	STAINLESS / STEEL	X	X	X
MAIN SINK GRID	JULIEN	200909	STAINLESS / STEEL	X	X	X
MAIN FAUCET	WATERSTONE	9450		X	X	X
WATER FILTER FAUCET	WATERSTONE	1400C		X	X	X
WATER FILTER SYSTEM	WATERSTONE	3000		X	X	X
SOAP DISPENSER	WATERSTONE	4065		X	X	X
GARBAGE DISPOSAL	INSINKERATOR	PRO-880	N/A	X	X	X
AIR SWITCH	TBD					
BAR SINK	JULIEN	003903	STAINLESS / STEEL	X	X	X
BAR SINK DRAIN	JULIEN	10082	STAINLESS / STEEL	X	X	X
BAR FAUCET	WATERSTONE	1600		X	X	X

**COUNTERS:**

No.	MATERIAL	THICKNESS	EDGE PROFILE	PATTERN/COLOR	FURNISHED BY	INSTALLED BY
					DEANE OWNER	DEANE OWNER
1						
2						
3						
4						
5						

**DATES:**

DESCRIPTION	DATE
PRESENTATION DRAWINGS (DRAWINGS @ 10% PHASE)	08-13-2019
CONTRACT DRAWINGS (DRAWINGS @ CONTRACT PHASE)	09-10-2019
SITE VERIFICATION (MEASURED BY FIELD SUPERVISOR)	07-31-2019
PRODUCTION DRAWINGS (DRAWINGS SENT TO FACTORY)	09-20-2019
FINAL CABINETRY DRAWINGS (ORDER IS SIGNED OFF)	10-25-2019
FINAL DRAWINGS (DRAWINGS FOR INSTALLATION)	01-02-2020

**LEGEND:** IMPORTANT NOTES ARE COLOR CODED

GENERAL CONTRACTOR: RED  
CABINET INSTALLER: BLUE  
OWNER/REPRESENTATIVE: GREEN

**NOTES:**

**REQUIREMENTS:**

DEANE, INC. SUGGESTS EXHAUST CUBIC FEET PER MINUTE (CFM) PER EXHAUST BLOWER / APPLIANCE MANUFACTURER'S RECOMMENDATIONS. GENERAL CONTRACTOR WILL BE RESPONSIBLE FOR CFM REQUIREMENTS IN REGARDS TO MAKE-UP AIR AND ANY OTHER HVAC CONDITIONS BY CONSULTING LOCAL BUILDING OFFICIAL.

CEILING HEIGHT - SHOULD THESE DRAWINGS INDICATE CABINETRY INSTALLED TO THE CEILING, IT IS ASSUMED THE CEILING WILL BE LEVEL AND TRUE AT THE TIME OF CABINET INSTALLATION. IF THE CEILING LEVEL VARIES, DEANE, INC. CANNOT ACCEPT RESPONSIBILITY FOR ANY OPEN SPACE BETWEEN THE TOP OF THE CABINETRY TRIM AND THE CEILING. THE FINISH TRIM AND/OR CABINET CROWN MOLDING WILL BE ATTACHED TO THE CABINETRY - LEVELLED AND SET TO THE LOWEST PART OF THE CEILING. ANY FURTHER REMEDY WILL BE THE RESPONSIBILITY OF THE CLIENT OR THE CLIENT'S REPRESENTATIVE.

THE DESIGN PLANS ARE PRESENTED TO YOU, THE CUSTOMER NAMED ON SAID DESIGN PLANS, AS A SPECIALIZED BUSINESS SERVICE OF DEANE, INC. TO BE USED IN COMPLETING THE PROJECT MORE FULLY DESCRIBED WITHIN A CONTRACT BY AND BETWEEN DEANE, INC. AND YOU. DESIGN PLANS REMAIN THE PROPERTY OF DEANE, INC. AND WE RESERVE THE RIGHT TO BE REIMBURSED FOR ANY AND ALL EXPENSES INCURRED IN FORMULATING THESE PLANS IF THEY ARE USED IN WHOLE OR IN PART BY ANYONE OTHER THAN YOU WITHOUT OUR PRIOR WRITTEN PERMISSION.

I HAVE READ THESE SPECIFICATIONS AND EXAMINED THESE DRAWINGS AND APPROVE:

(Owner) (Date) (Designer) (Date)

(Owner) (Date) (President) (Date)

**TITLE:** REVISED BY: TITLE: John & Amy Fraser  
08-15-2019 MSM Kitchen Floor Plan, Door Details  
08-27-2019 MSM  
09-20-2019 MSM  
10-21-2019 MSM  
12-31-2019 MSM  
02-03-2020 MSM

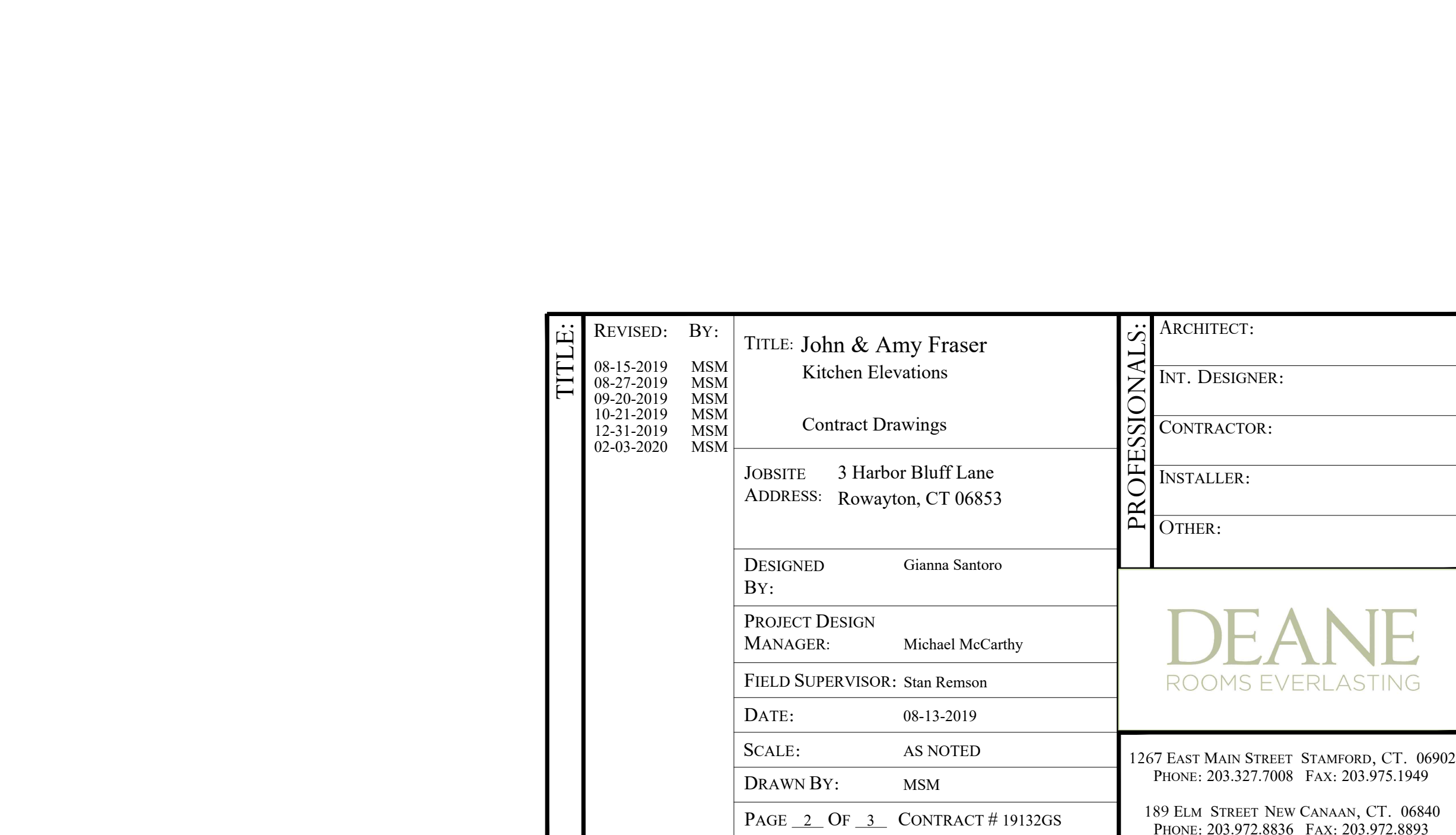
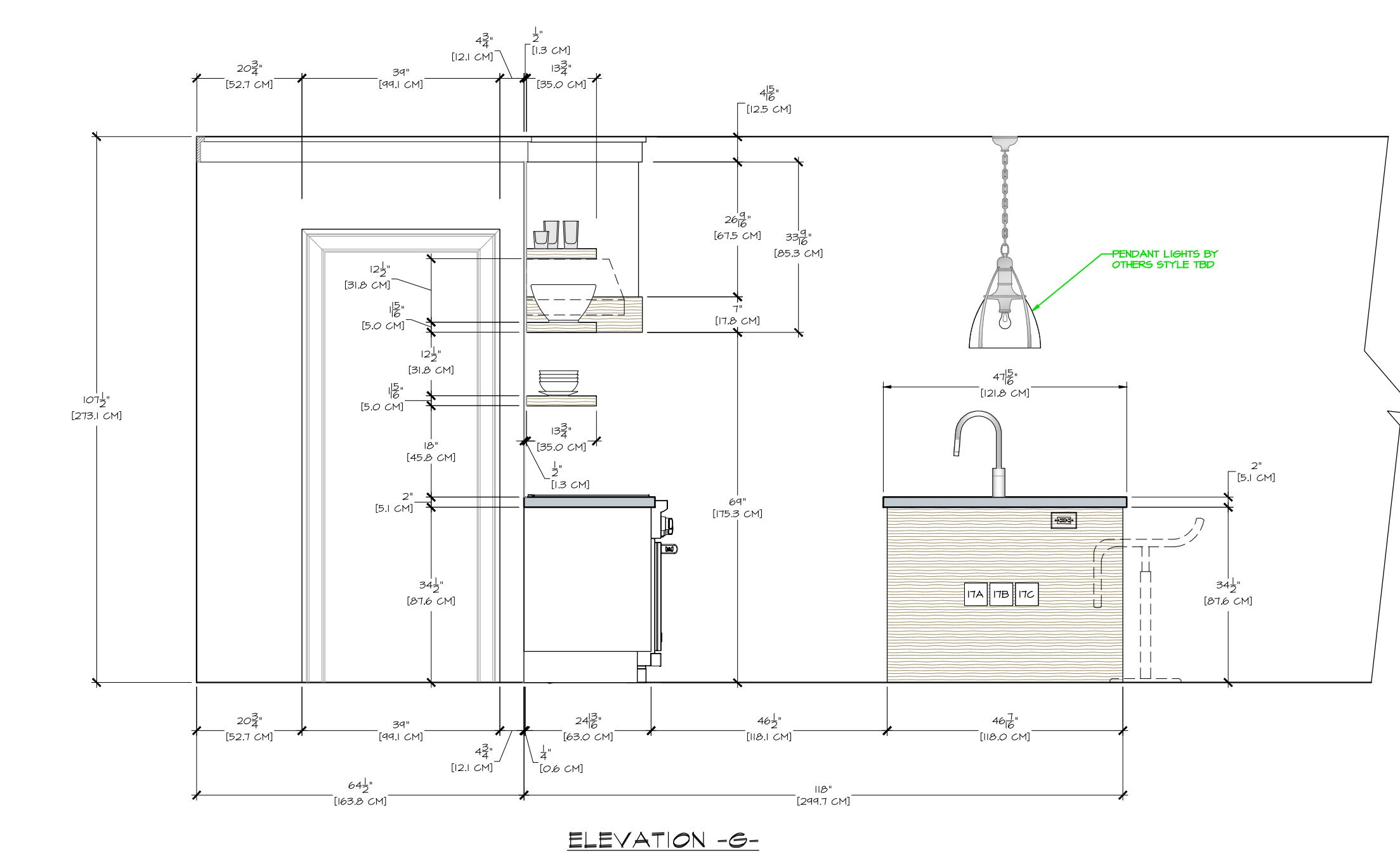
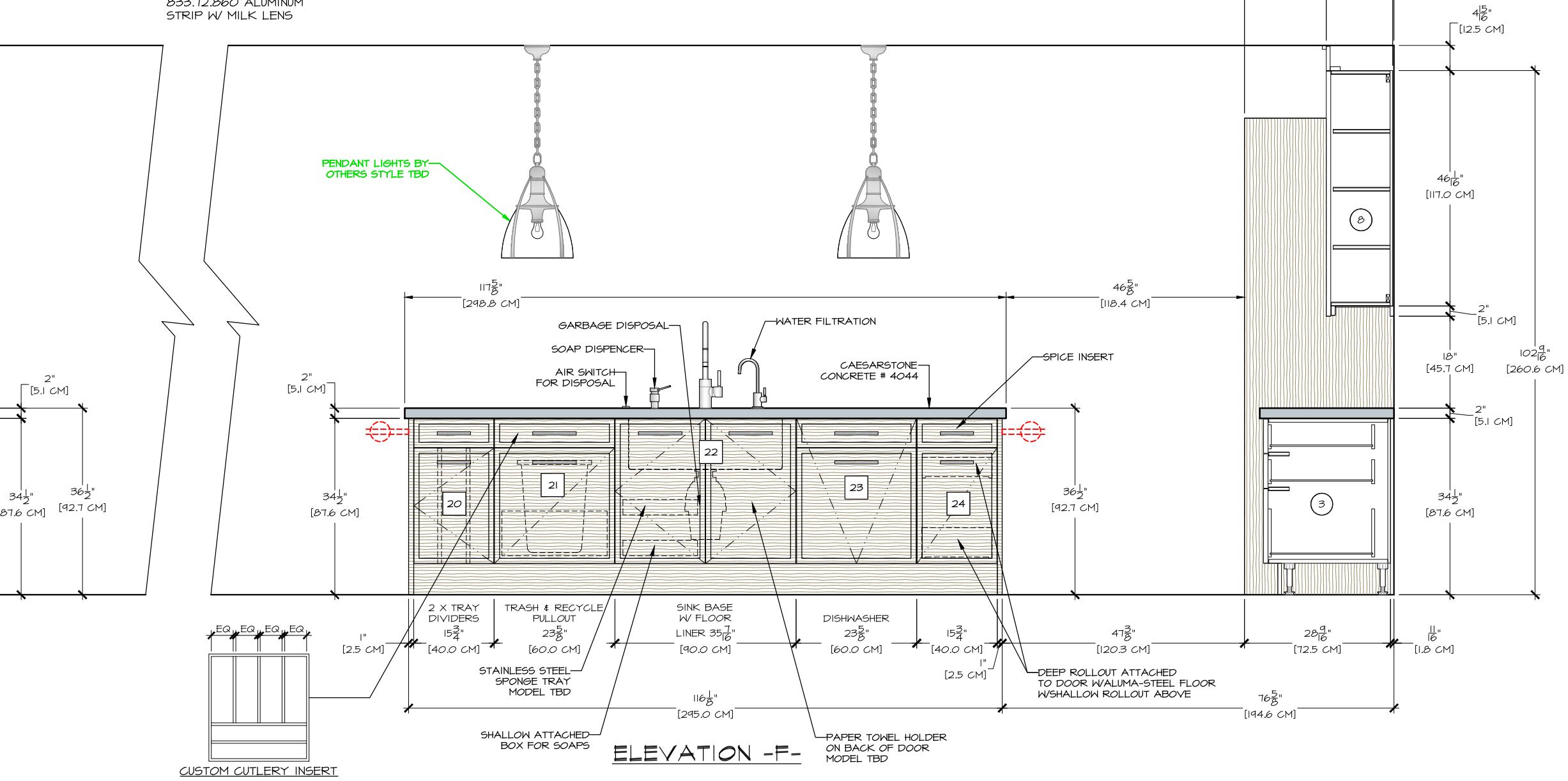
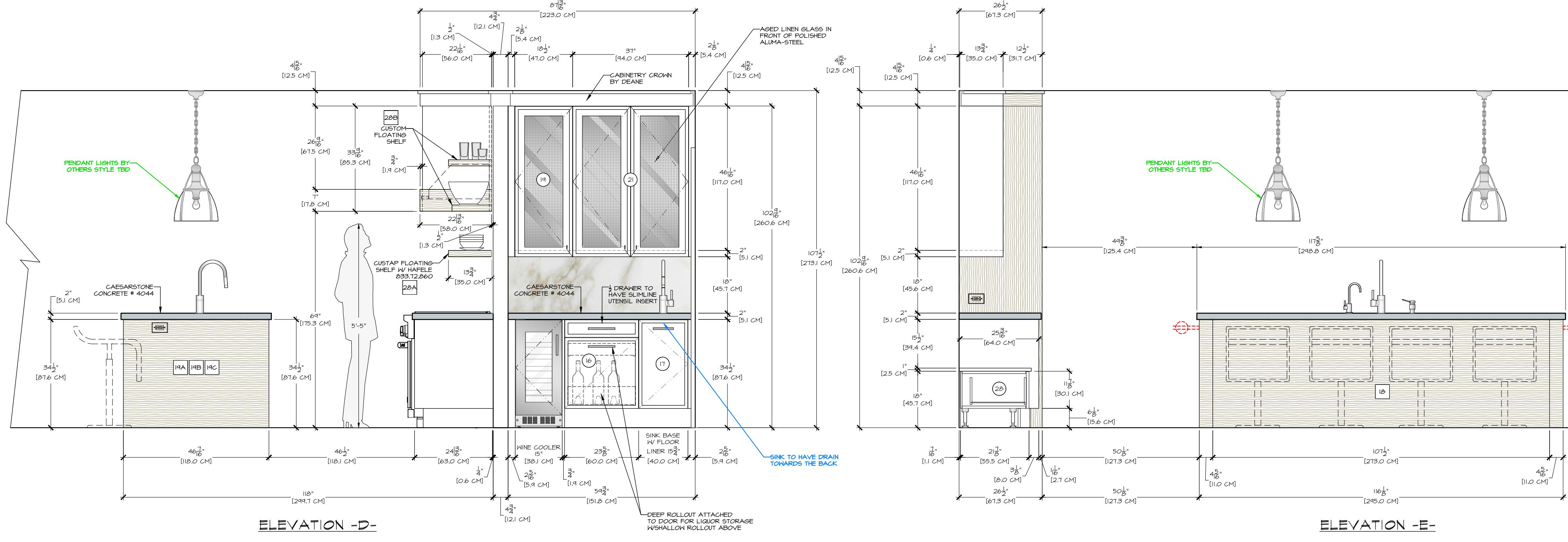
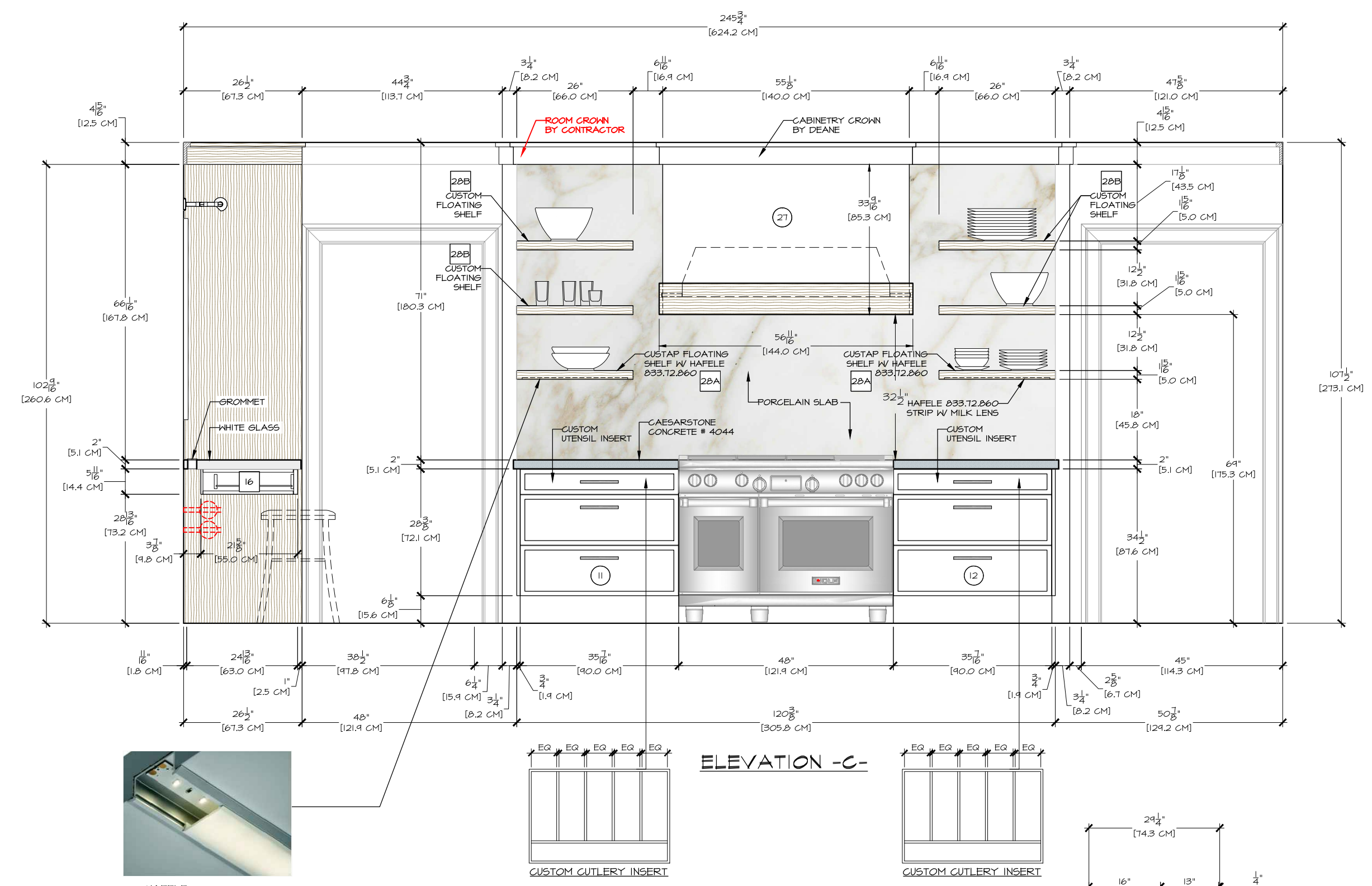
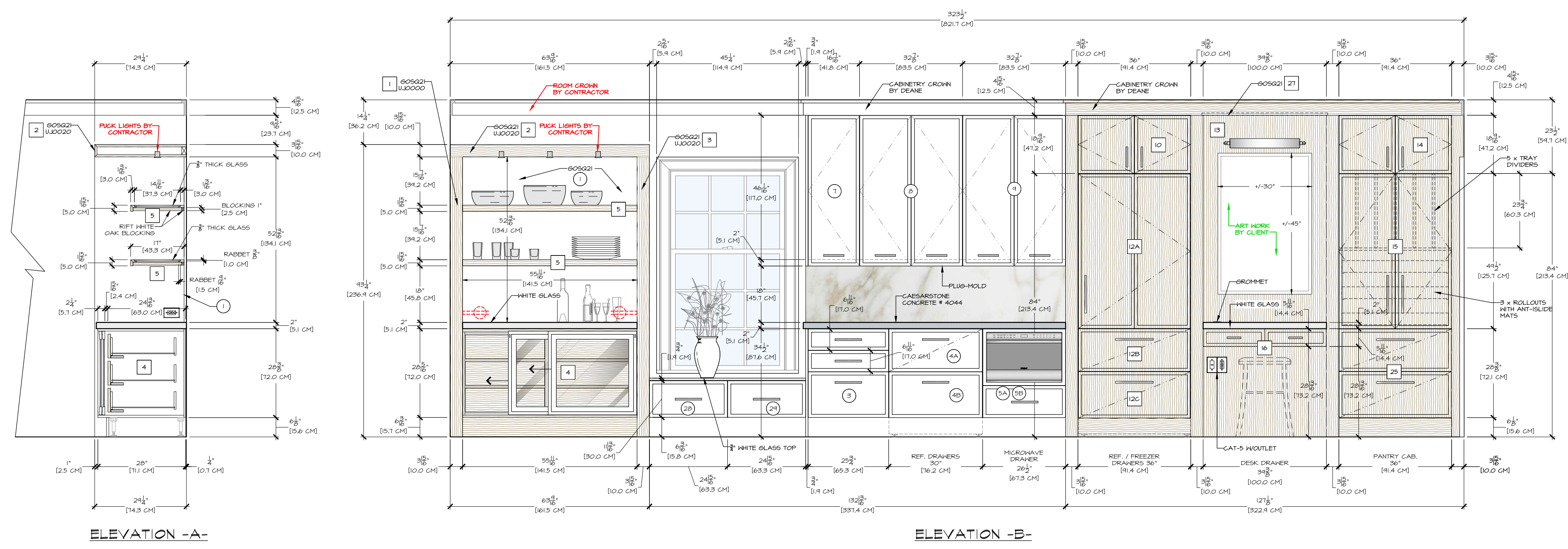
**PROFESSIONALS:** ARCHITECT: INT. DESIGNER: CONTRACTOR: INSTALLER: OTHER:

DESIGNED BY: Gianna Santoro  
PROJECT DESIGN MANAGER: Michael McCarthy  
FIELD SUPERVISOR: Stan Remson  
DATE: 08-13-2019  
SCALE: AS NOTED  
DRAWN BY: MSM

DEANE ROOMS EVERLASTING  
1267 EAST MAIN STREET STAMFORD, CT. 06902  
PHONE: 203.327.7008 FAX: 203.975.1949  
189 ELM STREET NEW CANAAN, CT. 06840  
PHONE: 203.972.8836 FAX: 203.972.8893  
www.dancinc.com

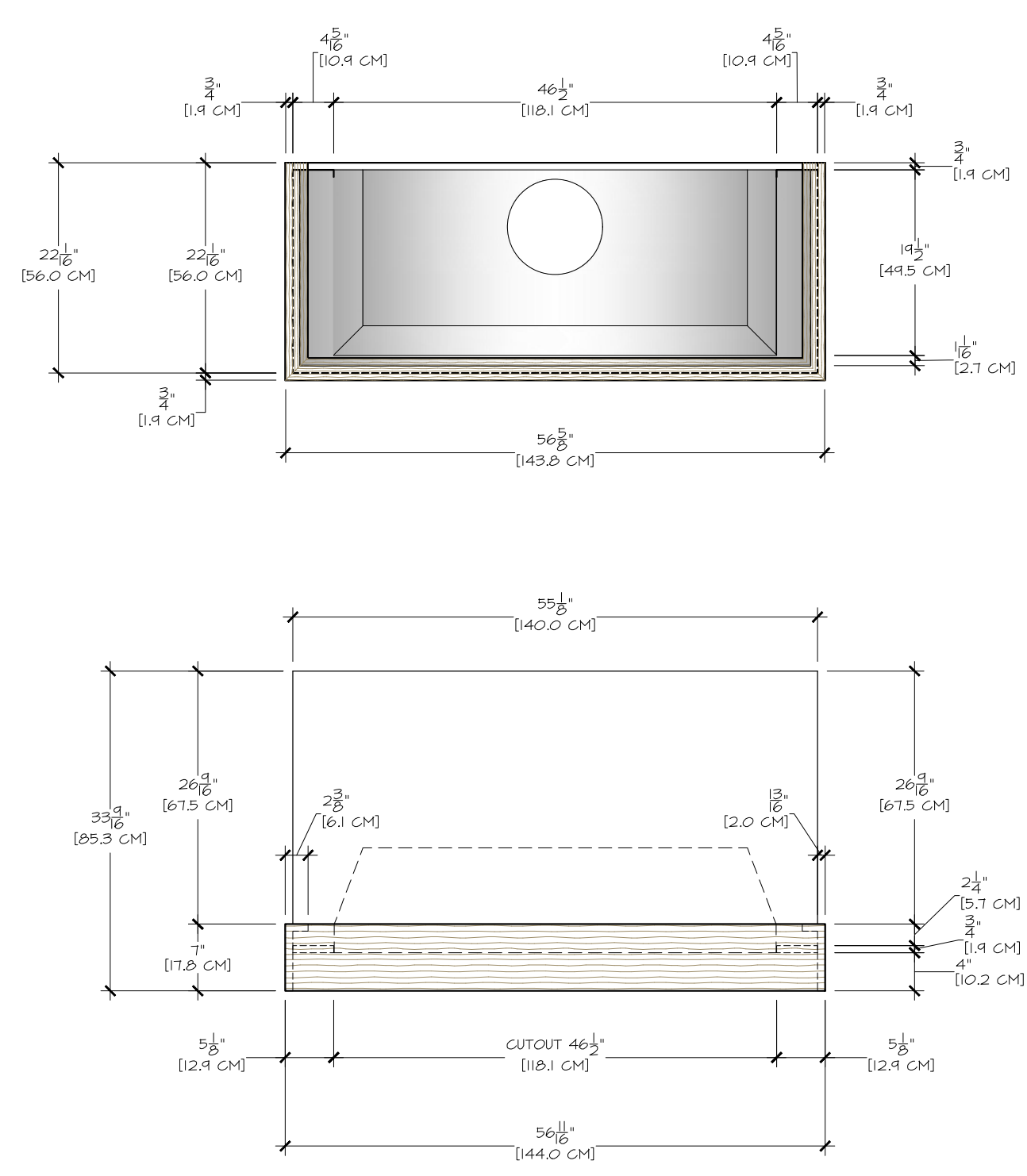
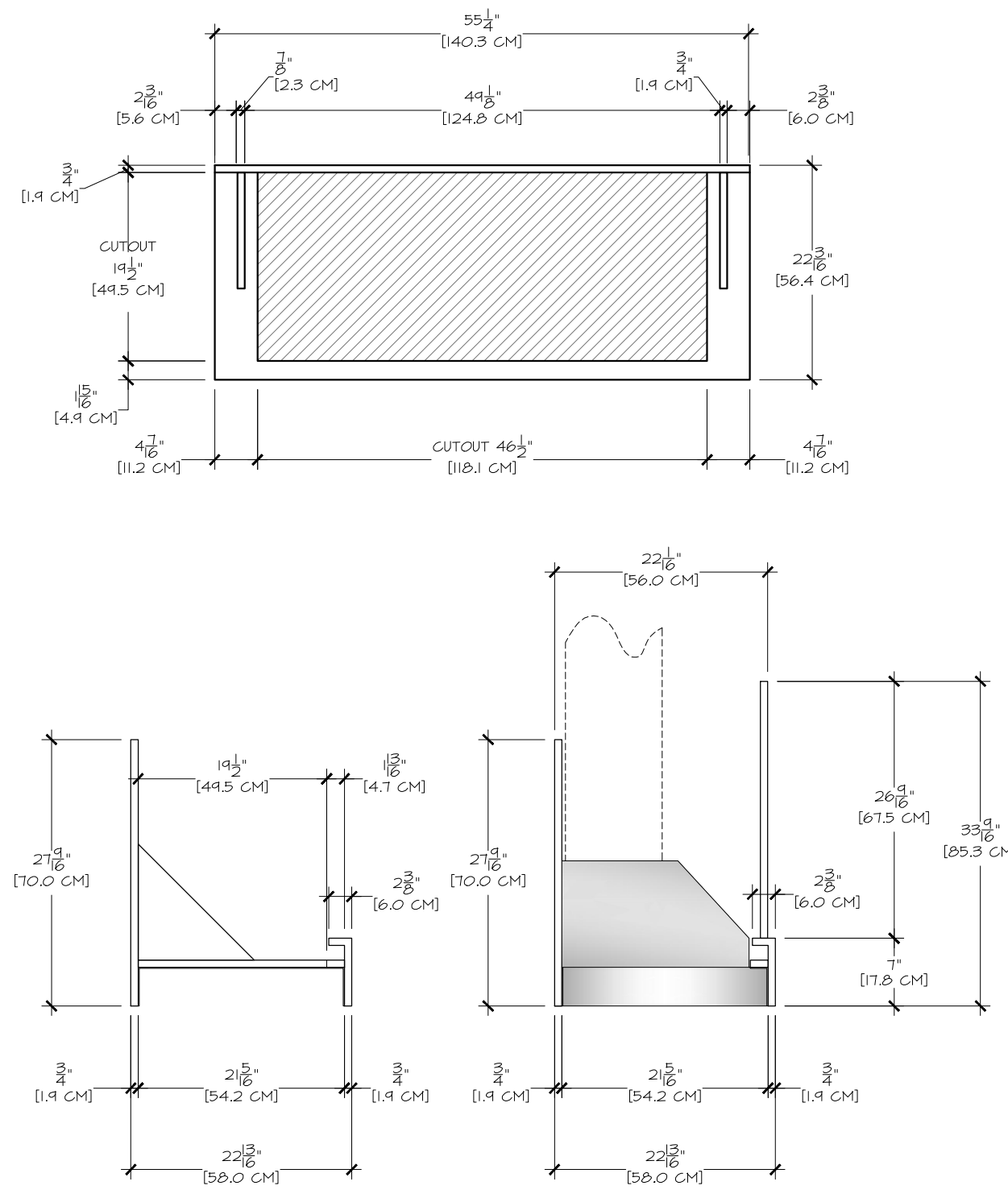
ALL DIMENSIONS AND SIZES GIVEN ARE SUBJECT TO VERIFICATION AT JOBSITE AND ADJUSTMENTS TO FIT JOB CONDITIONS



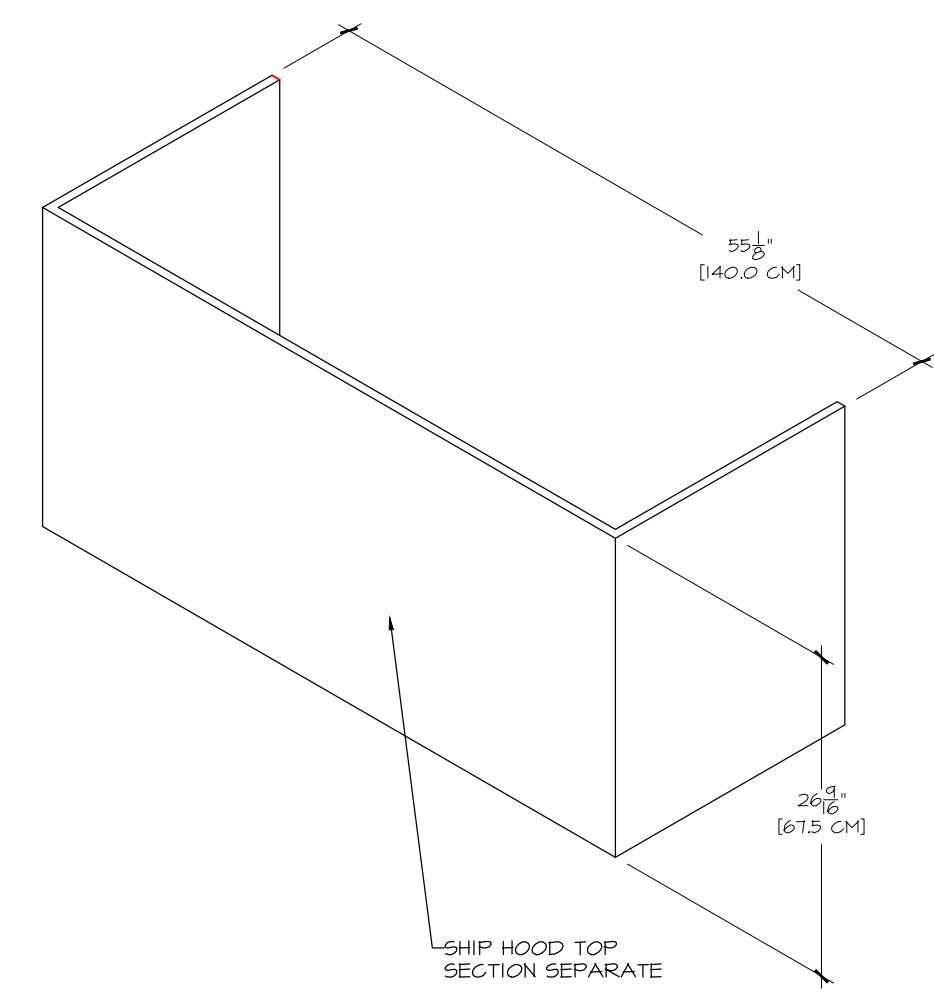


<b>TITLE:</b>	REVISED: 08-15-2019	BY: MSM	<b>TITLE:</b> John & Amy Fraser Kitchen Elevations	<b>ARCHITECT:</b>
	08-27-2019	MSM		
	09-20-2019	MSM	<b>Contract Drawings</b>	<b>CONTRACTOR:</b>
	10-21-2019	MSM		<b>INSTALLER:</b>
	12-31-2019	MSM		<b>OTHER:</b>
	02-03-2020	MSM		
	<b>JOBSITE:</b> 3 Harbor Bluff Lane <b>ADDRESS:</b> Rowayton, CT 06853		<b>DESIGNED BY:</b> Gianna Santoro	<b>DEANE</b> ROOMS EVERLASTING
	<b>PROJECT DESIGN MANAGER:</b> Michael McCarthy		<b>FIELD SUPERVISOR:</b> Stan Remson	
	<b>DATE:</b> 08-13-2019		<b>SCALE:</b> AS NOTED	
	<b>DRAWN BY:</b> MSM		<b>PAGE 2 OF 3 CONTRACT # 1913ZGS</b>	
	<b>ALL DIMENSIONS AND SIZES GIVEN ARE SUBJECT TO VERIFICATION AT JOBSITE AND ADJUSTMENTS TO FIT JOB CONDITIONS</b>			
				1267 EAST MAIN STREET STAMFORD, CT. 06902 PHONE: 203.327.7008 FAX: 203.975.1949
				189 ELM STREET NEW CANAAN, CT. 06840 PHONE: 203.972.8836 FAX: 203.972.8893
				www.deancinc.com

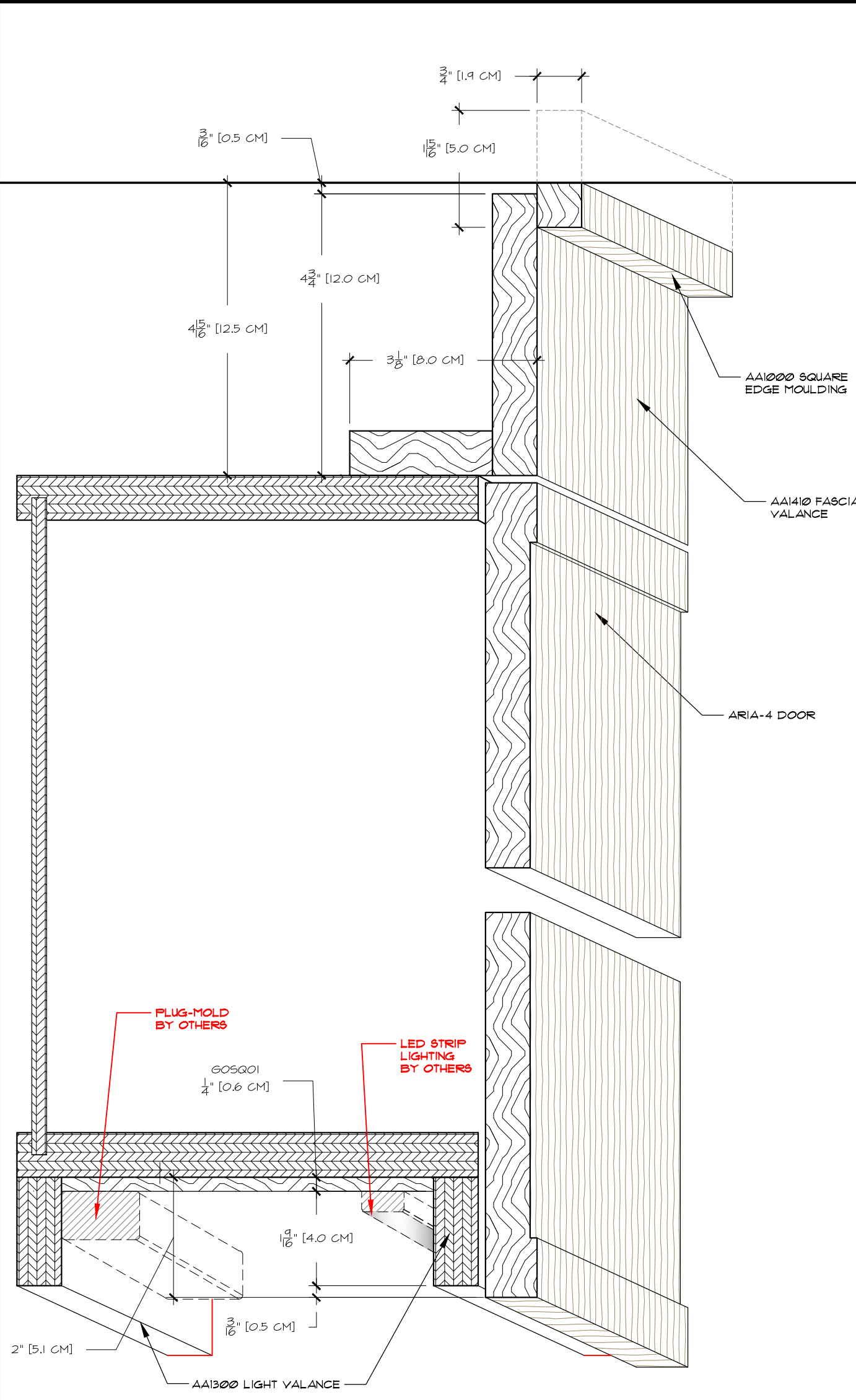
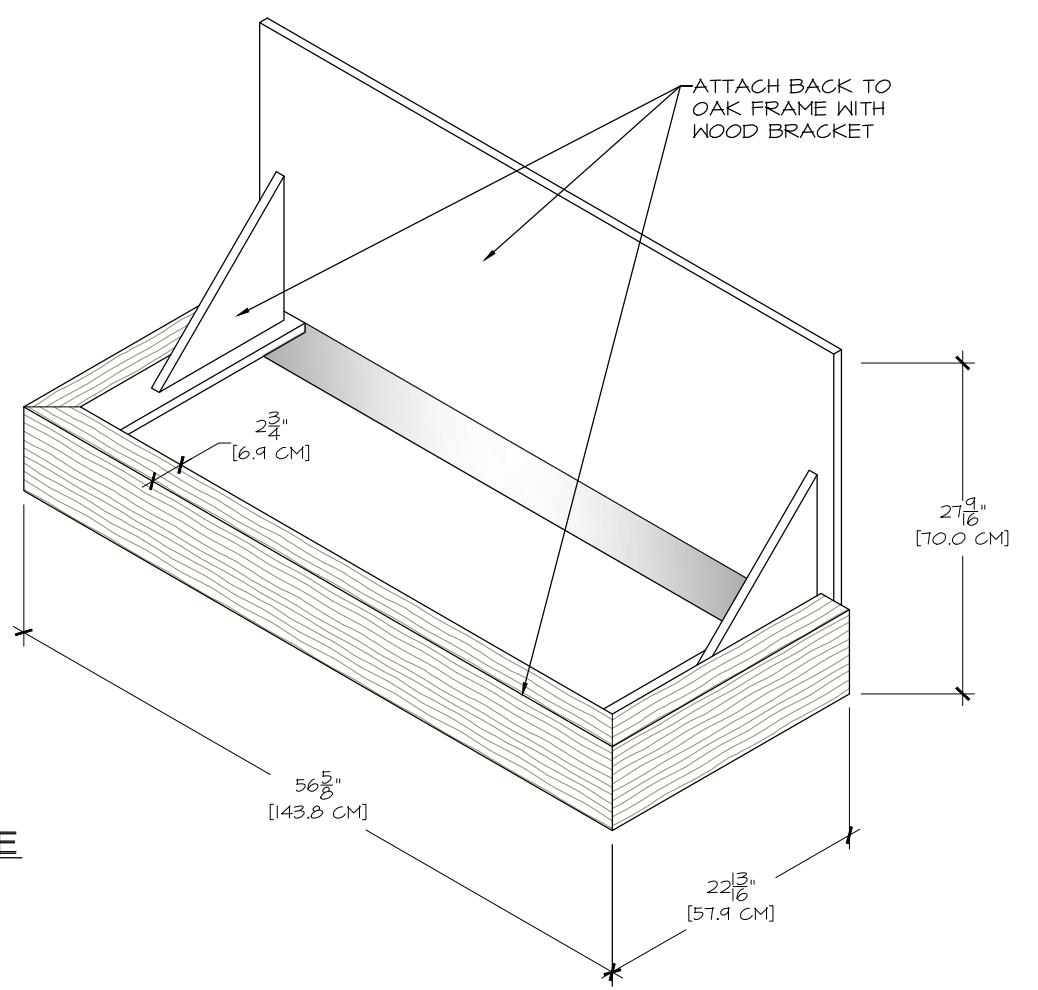




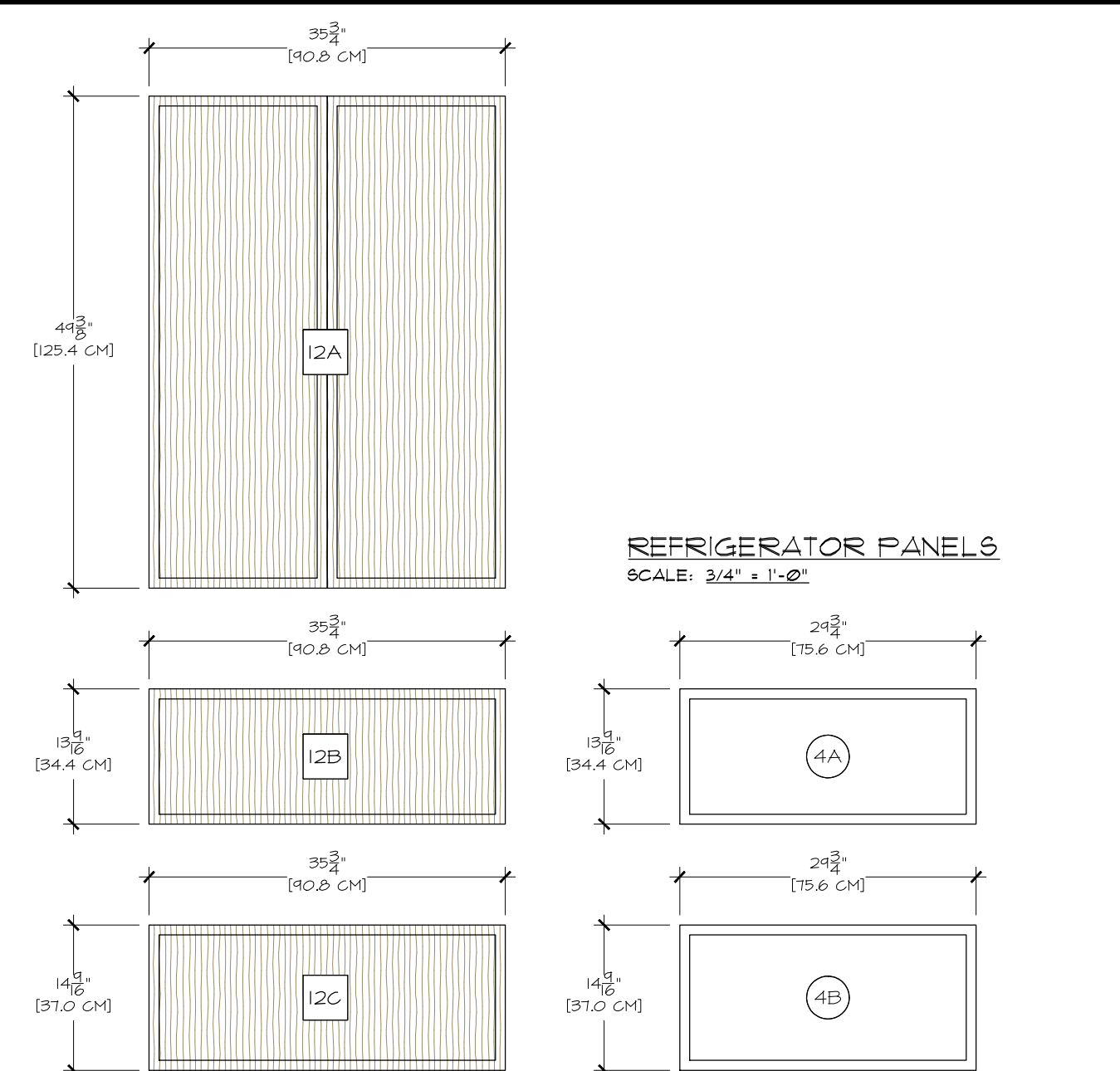
**HOOD DETAIL**  
SCALE: 3/4" = 1'-0"



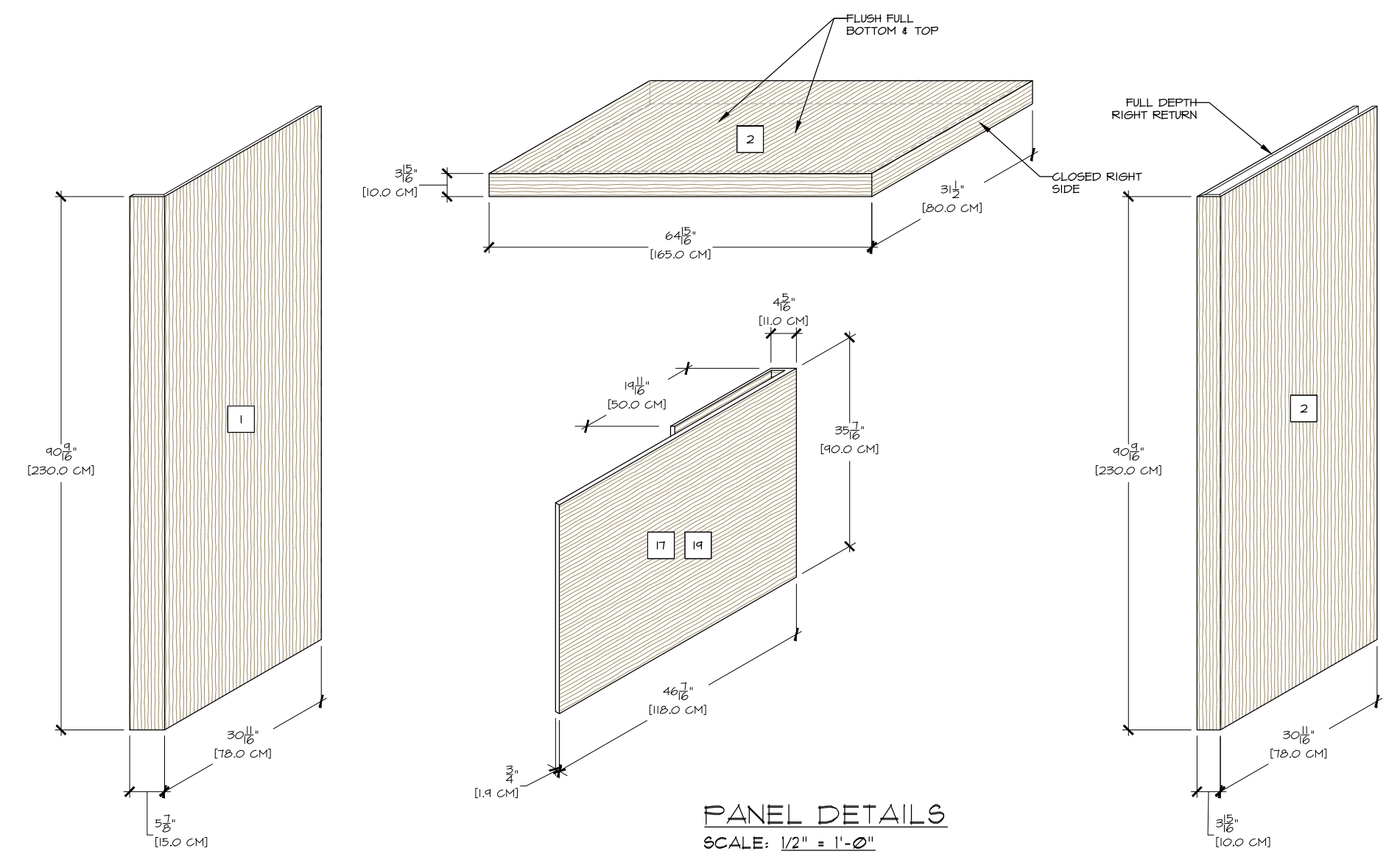
**HOOD DETAIL PERSPECTIVE**  
SCALE: 3/4" = 1'-0"



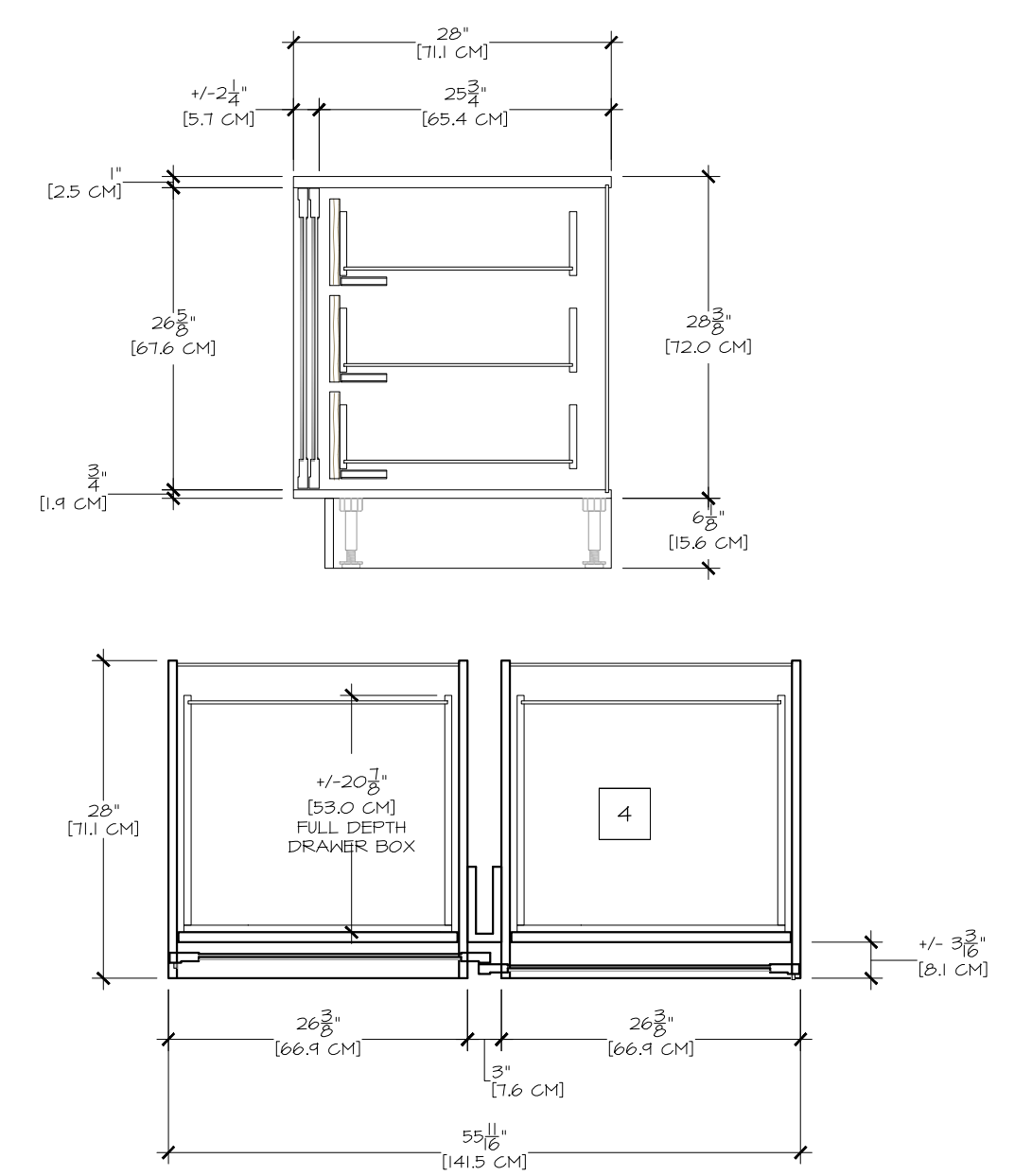
**MOULDING DETAIL**  
SCALE: 6" = 1'-0"



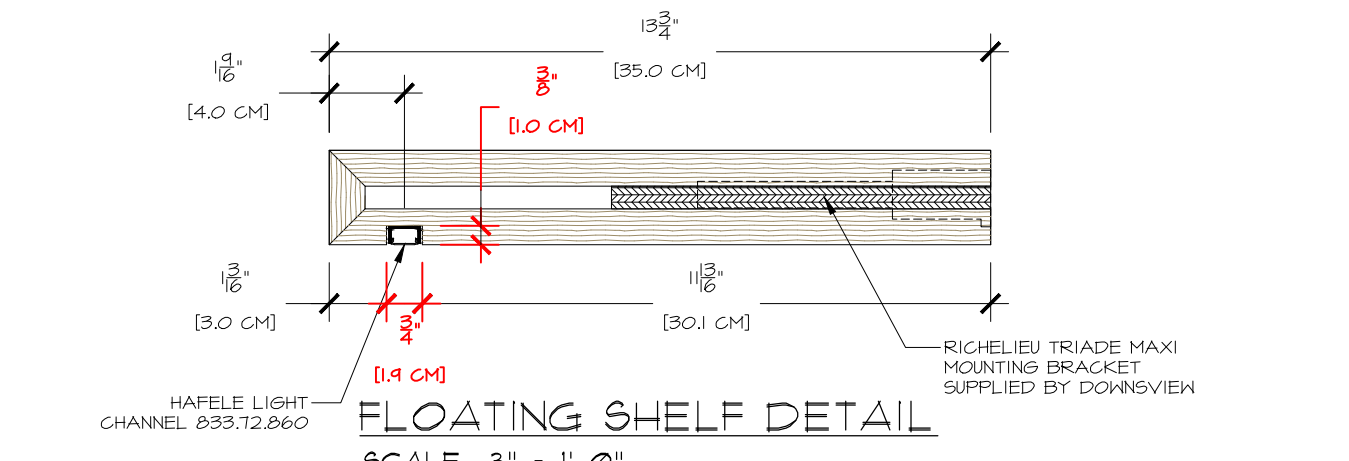
**REFRIGERATOR PANELS**  
SCALE: 3/4" = 1'-0"



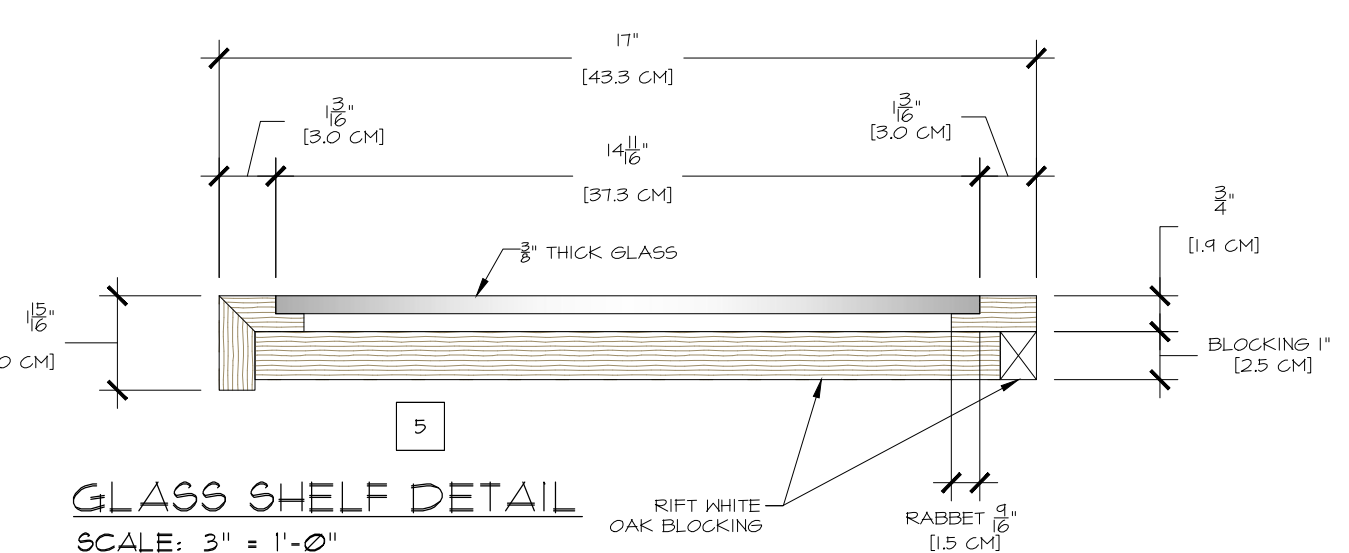
**PANEL DETAILS**  
SCALE: 1/2" = 1'-0"



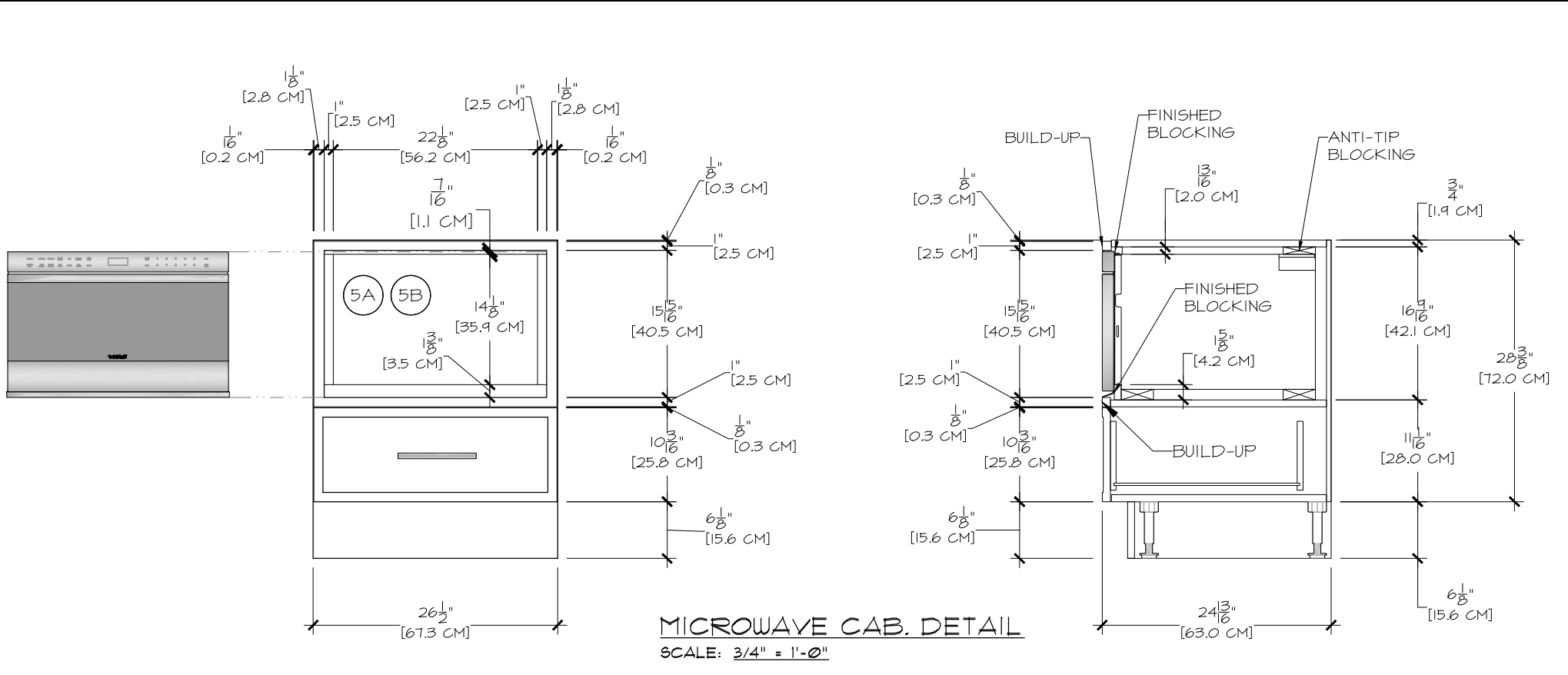
**SLIDING DOOR CAB. DETAIL**  
SCALE: 3/4" = 1'-0"



**GLASS SHELF DETAIL**  
SCALE: 3/4" = 1'-0"



**GLASS SHELF DETAIL**  
SCALE: 3/4" = 1'-0"



**MICROWAVE CAB. DETAIL**  
SCALE: 3/4" = 1'-0"

<b>TITLE:</b>	REVISED: 08-15-2019	BY: MSM	<b>TITLE: John &amp; Amy Fraser</b>	<b>ARCHITECT:</b>
	08-27-2019	MSM		
	09-20-2019	MSM	<b>Contract Drawings</b>	<b>CONTRACTOR:</b>
	10-21-2019	MSM		
	12-31-2019	MSM	<b>Rowayton, CT 06853</b>	<b>OTHER:</b>
	02-03-2020	MSM		
			<b>PROJECT DESIGN MANAGER: Michael McCarthy</b>	
				<b>FIELD SUPERVISOR: Stan Remson</b>
			<b>DATE: 08-13-2019</b>	
				<b>SCALE: AS NOTED</b>
			<b>DRAWN BY: MSM</b>	
				<b>PAGE 3 OF 3 CONTRACT # 19132GS</b>
			<b>ALL DIMENSIONS AND SIZES GIVEN ARE SUBJECT TO VERIFICATION AT JOBSITE AND ADJUSTMENTS TO FIT JOB CONDITIONS</b>	



1267 EAST MAIN STREET STAMFORD, CT. 06902  
PHONE: 203.327.7008 FAX: 203.975.1949  
189 ELM STREET NEW CANAAN, CT. 06840  
PHONE: 203.972.8836 FAX: 203.972.8893  
www.dcaninc.com